

Data Sheet

# EXTERNAL ADJUST SNUBBER



Supplied by

**247able.com**

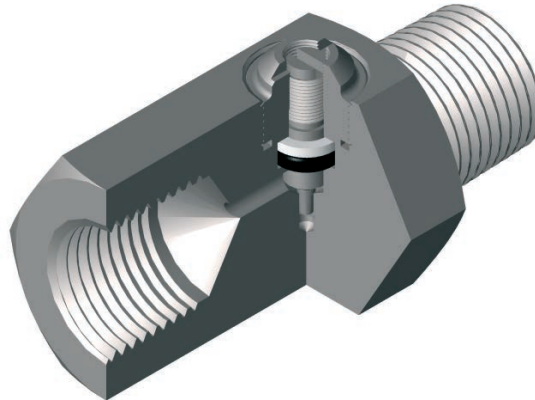
Call us on +44 (0)118 916 9420 | Email [info@247able.com](mailto:info@247able.com)

Mechanical  
Pressure Measurement



## External Adjust Snubber

Maximum working pressure 420 bar (6000 psi)



Overall Dimensions = 32mm a/f hex, 67mm long.

### Features

- Hydrostatically tested to 1.5 times maximum working pressure.
- Has trace code on body with material certificates available for all wetted parts on request.
- Available in a variety of materials, stainless steel, monel etc.
- Can be supplied to NACE MR-01-75 latest edition.
- Gauge snubber is adjustable restriction type and helps protect instrument against pulsing and surges in process system. Suitable for use with pressure gauges, pressure switches and pressure transmitters etc.

### How To Order

PART No IL-GS-      M or F-      M or F-     

Standard Rating = 6000psi  
add **HP** at end of Part No  
for 10000psi rating

↑  
Inlet
↑  
Outlet
↑  
Material

### Inlet & Outlet Codes

Select M or F for Male / Female		
03 = 1/4" NPT	04 = G1/4" (BSP)	13 = R1/4" (BSPT)
05 = 3/8" NPT	06 = G3/8" (BSP)	14 = R3/8" (BSPT)
07 = 1/2" NPT	08 = G1/2" (BSP)	15 = R1/2" (BSPT)
09 = 3/4" NPT	10 = G3/4" (BSP)	16 = R3/4" (BSPT)
11 = 1" NPT	12 = G1" (BSP)	17 = R1" (BSPT)

### Material Code

AI = AISI 316 S/S (DIN 1.4401)	TI = TITANIUM
MO = MONEL	DU = DUPLEX UNS S31803
HA = HASTELLOY	SD = SUPER DUPLEX UNS S32760
IN = INCOLLOY 825	