

Data Sheet

202D BATCH CONTROLLER



Supplied by

247cable.com

Call us on +44 (0)118 916 9420 | Email info@247able.com

MODEL 424

FEATURES

- Displays Batch Total, Preset Quantity, Flow Rate, and Accumulated Total
- Software Control of Flow Input Type and Output Voltage
- Overrun Compensation
- Remote Operation
- No Flow Alarm
- Custom Headers for Ticket Printing
- Universal Mains Input Voltage
- Dual Relay Outputs
- Optional 4-20mA Output
- RS485 & RS232 Output
- Adjustable Backlight
- Green, Red and Orange LED Status Lamps
- Tactile Keypad for Improved Operator Interaction

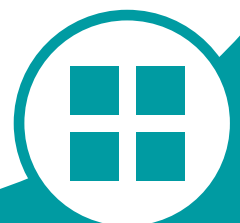


Batch Controller



The 424 Batch Controller is suited to flow applications where precise measurement and control of batch quantities is required. Batch total, flow rate, accumulated total and preset value can all be displayed in engineering units on the large LCD display.

The 424 will interface to most flowmeters generating pulse or frequency outputs.



Field Mounting Batch Controller

NEXT GENERATION BATCH CONTROLLER – BASED ON THE ORIGINAL CONTREC 414, PROVEN IN THOUSANDS OF FIELD APPLICATIONS AROUND THE WORLD.

The 424 is a high accuracy Batch Controller designed to operate with digital output flowmeters. Having an IP65 weatherproof fascia, new tactile keyboard and various mounting options, the 424 is perfect for the most arduous of installations.



Models Available

Model 424._0

Frequency input version with an input circuit capable of accepting mV signals from coils, 2-wire proximity sensors, reed switch inputs and most other pulse type signals.

Model 424._1

Adds 4-20mA output capability to the controller.

Batch Features

Automatic Overrun Compensation

Based on previous batches, the 424 will automatically compensate for any overrun which may be caused by slow closing valves.

Batch Limit

A maximum batch quantity can be programmed during set-up, so that the operator cannot enter a batch size that exceeds this limit.

Signal Time-out

If the flow signal cuts out midway through a batch, e.g. flowmeter failure, the output relays are de-energised and an alarm signalled via an open collector output.

Remote Start/Stop

Remote push-button switches can be connected to the rear terminal strip, to start and stop batches.

Auto Restart

The 424 can be programmed to automatically restart the batch after a preset time delay.

Count Up/Down

The instrument can be programmed to count up from zero, or to count down from the batch quantity.

End of Batch

An 'End of Batch' signal is provided via an open collector transistor output

Operation

Four key switches on the front fascia enable the batch quantity to be set, and batch operations to be started, stopped or reset.

To set a batch quantity, the **BATCH SET** key is pressed, and then the **▶** and **▲** keys can be used to change and increment digits. Once set, the **BATCH SET** key is again pressed to return to **RUN** mode.

Keypad operations are straight forward and four LED's indicate the operational status at all times.

In **RUN** mode, the **DISPLAY** key can be used to display flow rate, batch preset and accumulated total.

The unique four key function simplifies operation, making the instrument suited to use by operators with minimal training.

Versatile Performance Options

The instrument will operate from 12 to 28Vdc or from a universal AC input.

The fascia is fully watertight to IP65 (Nema 4X) and is resistant to most chemicals.

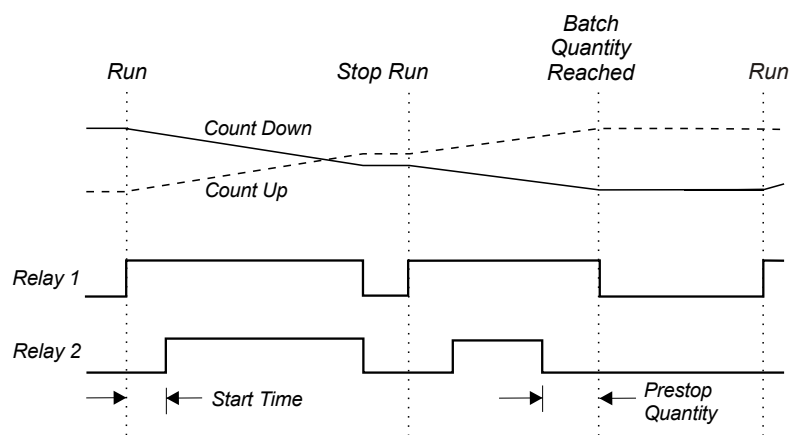
The standard instrument is supplied as panel mount. Field enclosures and explosion proof enclosures are optionally available.

One or Two Stage Valve Control

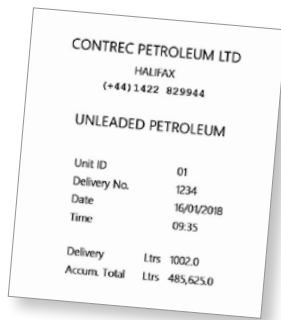
Two output relays provide control for single or dual stage valve operation.

The first relay will energise at the start of the batch, and de-energise when the batch is complete.

The second relay can be programmed to energise at a set time after the start, and to de-energise at a set quantity prior to completion of the batch. This feature enables a slow startup and slow shutdown of the flow.



Dual Relay Outputs



Computer/Printer Interface

An RS232 and RS485 output is available for interfacing to computers and printers. The interface allows the Batch Controller to be fully controlled from a computer via an ASCII protocol.

Software drivers are included for a number of printers and can print a ticket with time and date, a sequential delivery/batch number, and the batch and accumulated totals. An optional header for the ticket can also be printed (factory configured).



SPECIFICATIONS

General

Display: 6 digit 0.7" (17.8mm) high LCD

Display Update Rate: 0.25s

Data Retention: All set-up parameters and totals are stored in a non-volatile memory with 10 years retention

Pulse Output: Open collector output with a 1/10/100ms pulse produced on each increment of the accumulated total.

Max. Output: 499 Hz @ 1ms

Max Current: 100mA

Transducer Supply: 8-24Vdc software adjustable, 50mA maximum

Relays:

Max. Power: 1250 VA

Max Voltage: 250Vac, 30Vdc

Max Current: 5 Amps

Power Requirements:

DC Supply: 12-28.5Vdc 200mA typical current

AC Supply: AC mains universal 100-240V input

Frequency Input

Frequency Range:

Minimum: 0.25Hz on Rate, 0Hz on Total

Maximum: 10kHz Pulse, 2.5kHz NPS & Coil

Scaling Range: 0.1000 to 50,000

Outputs

4-20mA Output Option

Type: Fully isolated output corresponding to the displayed flow rate, suitable for driving a recorder or controller

Resolution: 12 bits

Accuracy: <0.1%

Maximum Load: 390 ohms from internal power, 950 ohms if externally powered

Communications Output

Type: RS232, or RS485 interface is available for driving printers and communicating with computers

Baud Rate: 300 to 115200

Parity: None, odd and even

Protocols: A number of protocols are included to interface to printers and computers

Time/Date: A real-time clock provides time/date printing on tickets

ID Code: For multi-point communications, a unique address can be programmed

Physical

Operating Temperature: 0 to 55°C, 32 to 131°F (-20 to +60°C, -4 to +140°F with Conformal Coating)

Enclosure

Case: Aluminium

Rear Connection: Terminal block

Front Panel Material: Polycarbonate

Dimensions: 144mm (5.7") W x 72mm (2.9") H x 179mm (7") D

Protection:

Field Enclosures: IP65 (Nema 4X)

Enclosures: ATEX, IECEx, CSA approved enclosures are available for hazardous areas

Mounting Options

Panel: Supplied with mounting brackets and panel mount gasket. Terminals accessible from rear. (Note: IP65 fascia integrity only maintained when correctly panel mounted using supplied gasket).

Enclosures: Field mount and explosion proof enclosures available

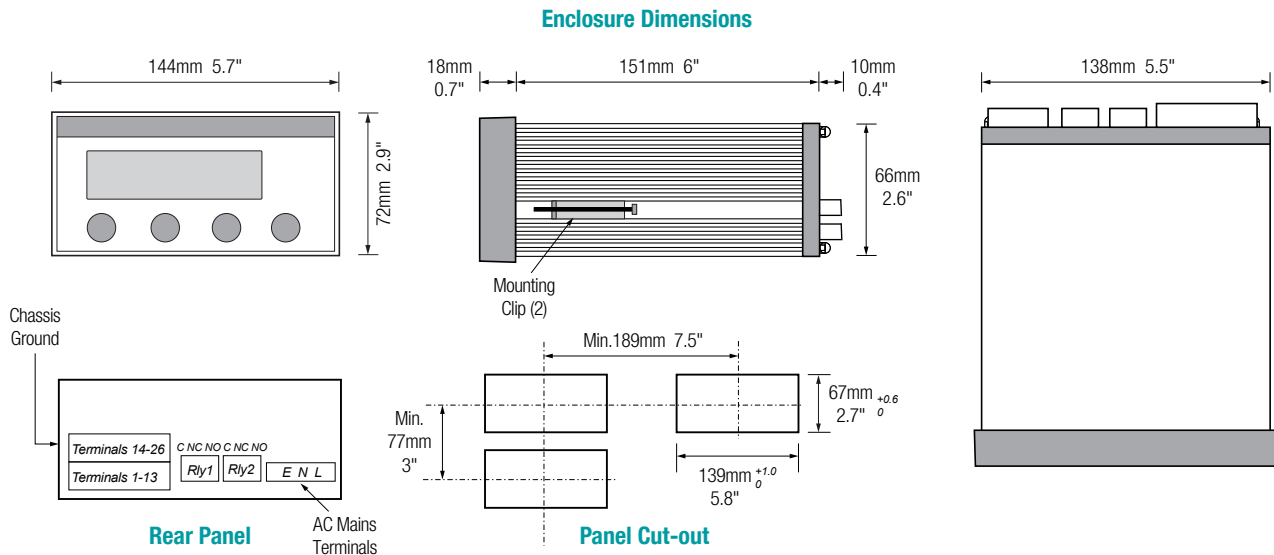
Approvals

Safety: EN61010:2010, CSA

EMC: EN61326:2013

Important: Specifications are subject to change without notice.

DIMENSIONS



TERMINAL DESCRIPTIONS

Inputs & Outputs			
No.		No.	
1	Flow Common (-)	14	Calibration Link
2	Flow Signal Input (+)	15	Run Switch
3	+15V (option)	16	Display Switch
4	4-20mA Power Input (option)*	17	Batch Set Switch
5	I (+) (option)	18	Stop Switch
6	Either I (-) 0V Return (option)**	19	Switch Ground
7	Or I (-) -15V Return (option)***	20	CTS In
8	RS232 Signal Ground	21	RS232 Data In
9	RS485 (-)	22	RS232 Data Out
10	RS485 (+)	23	Pulse & Power Out Ground
11	Pulse Out	24	End of Batch / Pump Control
12	DC Power Input (12-28.5Vdc)	25	Flow Alarm
13	DC Ground	26	DC Power Out (8-24Vdc)

* Link to 3 or ext PSU
 ** Loads up to 390 ohms
 *** Loads up to 950 ohms

Relays	
No.	
27	Relay 1 – Common
28	Relay 1 – Normally Closed
29	Relay 1 – Normally Open
30	Relay 2 – Common
31	Relay 2 – Normally Closed
32	Relay 2 – Normally Open

PRODUCT CODES

When specifying please indicate model(s) required using the following:

Product Code, Mounting Types & Options			
424	•		Batch Controller
Enclosure Mounting	1		Panel Mounting
	2		Field Mount Enclosure
	3		Explosion Proof Enclosure
4-20mA Output	0		None
	1		4-20mA Output
Power Supply	U		Universal 110/240Vac
	D		12-28Vdc Supply
Special Options	N		No Option
	C		Conformal Coating

Typical Part Number: 424.21UC

Instruments within the Contrec family:

100 Series – Accurate process instruments for field mounting applications

200 Series – Intrinsically safe, precise and reliable process instruments

400 Series – Rugged and dependable batch and flow control solutions

505 Series – Next generation flow instruments for a variety of applications

515 Series – Precise flow and batch control for more complex applications

LC Series – Robust load controllers for petroleum and chemical applications



Contrec Ltd
 Riverside, Canal Road
 Sowerby Bridge
 West Yorkshire HX6 2AY

t +44 (0)1422 829944
f +44 (0)1422 829945
e sales@contrec.co.uk
w www.contrec.co.uk

SALES & TECHNICAL SUPPORT:
+44 (0)1422 829944
www.contrec.co.uk

Contrec Ltd
 European, Middle East and Africa Sales:
 +44 (0)1422 829944
 sales@contrec.co.uk

Contrec USA LLC
 Americas & Canada Sales:
 +1 (0)205 685 3000
 customerservice@contrec-usa.com

Contrec Systems PTY Ltd
 Australasia Sales and South East Asia
 Support: +61 (0)413 505 114
 paul@contrec.com.au

